

# SAGOLA

## PNEUMATIC INDUSTRIAL PUMPS



GARANTIA SAGOLA · 3 AÑOS  
**WARRANTY**  
SAGOLA WARRANTY · 3 YEARS

MADE IN  
**SPAIN**

## Innovation, functionality and performance

w w w . s a g o l a . c o m

## AIRLESS/MIX/LOW PRESSURE PROFESSIONAL LINE

SAGOLA introduces its new range of professional line of Equipos Airless/Mix/Low Pressure equipment.

This line, exclusively designed and manufactured for professional use, gathers high standards both in term of performance and image.

Within the quality standards we focus on **simplicity and durability**.

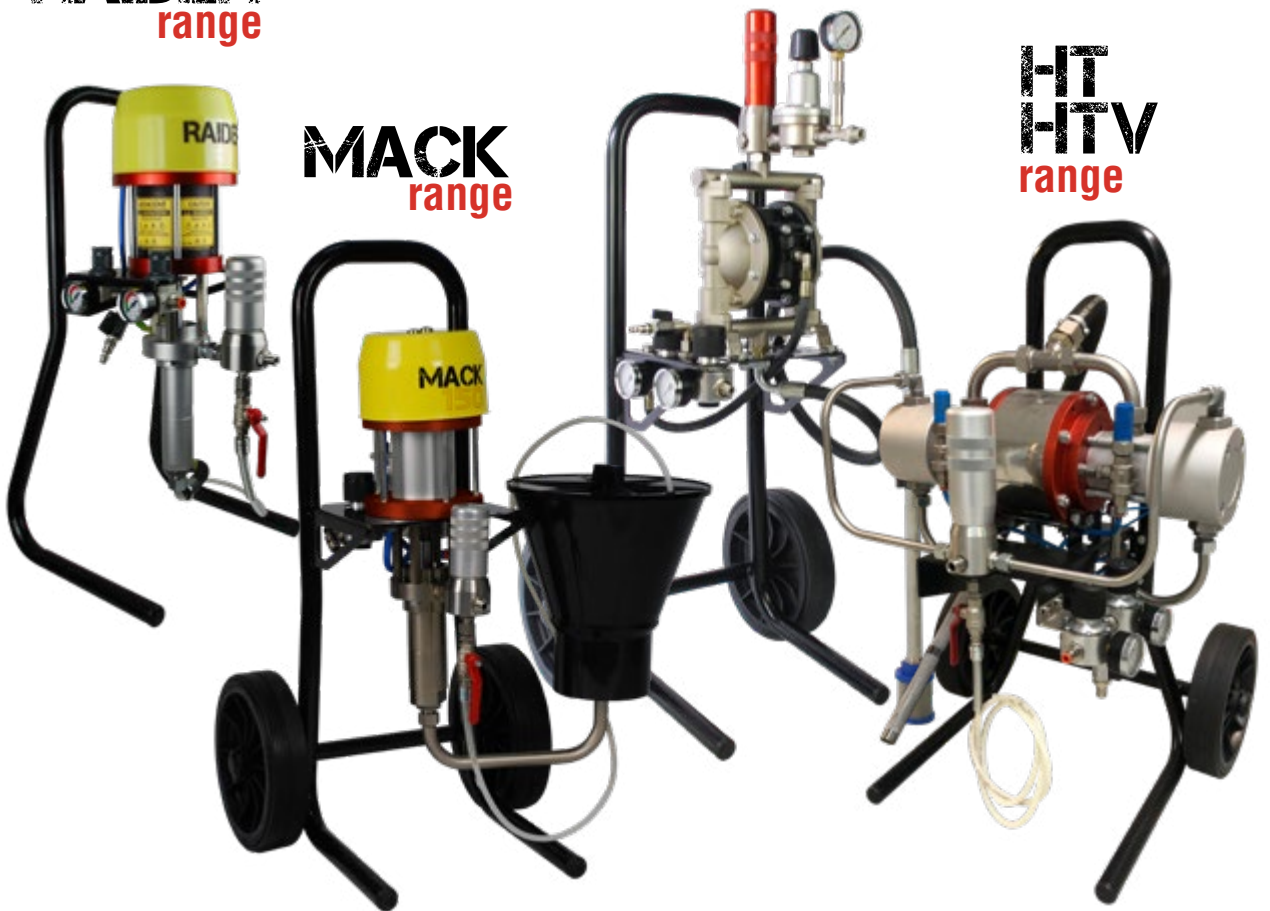
Thus, we have redesigned completely the hydraulics. Now it contributes to a long-lasting life even in the worst working conditions and without waiving on its performance.

**RAIDER**  
range

**DM** range

**MACK**  
range

**HT  
HTV**  
range



## SAGOLA WARRANTY

SAGOLA offers a **3-year warranty** for its entire product range, that covers any material or manufacturing defect in its products. Any faulty part will be repaired or replaced free of charge to the client.

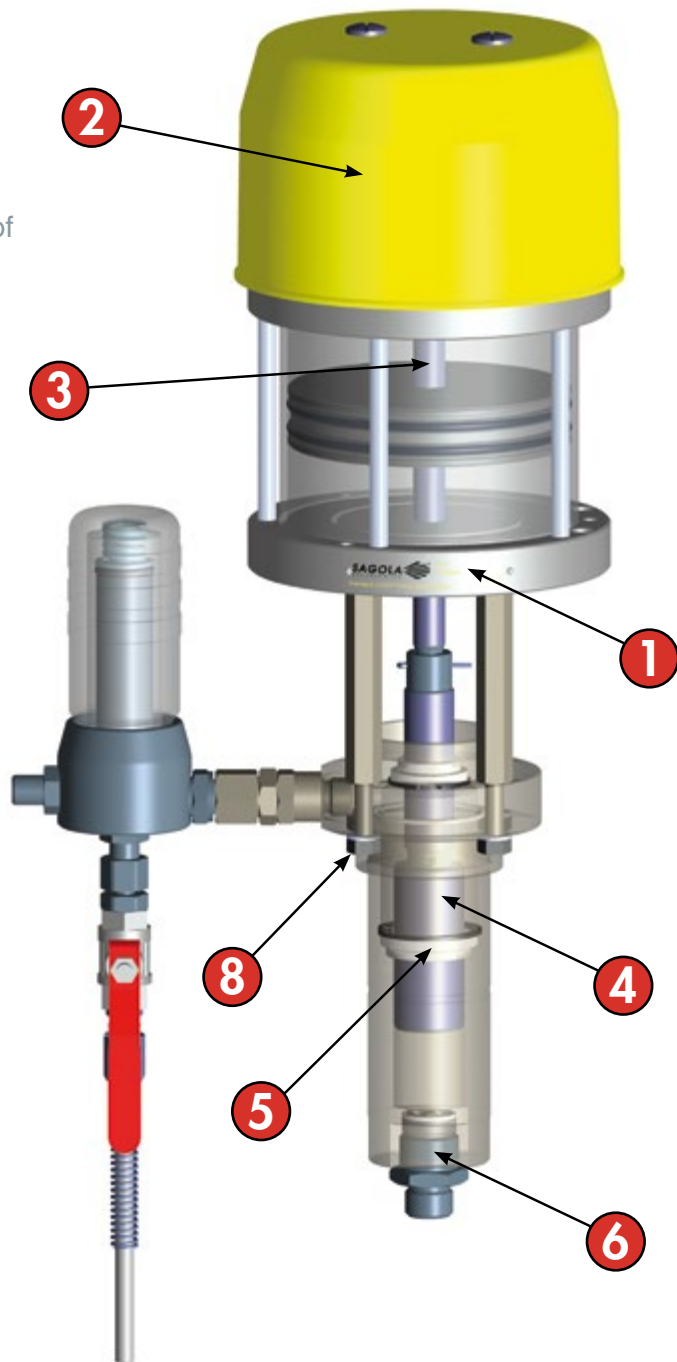


## SAGOLA SPARE PARTS SERVICE

SAGOLA is synonymous with quality and service. For this reason SAGOLA offers comprehensive **warranty of the service of components and spare parts** for the perfect maintenance of all its products, even those sold over 10 years ago.

# TECHNICAL ADVANTAGES Airless & Mix Equipments

- 1 PNEUMATIC BODY ANODIZED FORGED ALUMINIUM**  
High resistant to corrosion.
- 2 OVERSIZED PNEUMATIC CONTROL AREA**  
To avoid freezing problems and maintain a smooth functionation without any loss of performance.
- 3 PNEUMATIC AREA SHAFT GROUND AND CHROMIUM-PLATED**
- 4 PRODUCT AREA SHAFTS TEMPERED AND CHROMIUM-PLATED**  
Great durability and wearing resistance.
- 5 ALL PACKINGS HAVE BEEN REDESIGNED**  
They offer great durability and smooth-functioning, even working at low pressure.
- 6 NEW OVERSIZED VALVES**  
They provide a better product flow, a lower product flow-speed and therefore, a lower wear.
- 7 COMPACT DESIGN, STURDY and HIGH QUALITY**
- 8 SIMPLIFIED DESIGN**  
Now there are less parts, so it is easier to maintain and repair.
- REGULATORS:**  
AIRLESS Equipment,  
Pump pressure regulation system.  
MIX Equipment,  
pump and atomization regulation system.



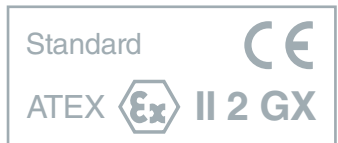
# RAIDER & MACK PROFESSIONAL LINE

The **RAIDER & MACK** professional equipments in its Airless and Mixed versions has been designed and manufactured focusing on the needs of small and medium metal and wood working factories.

High robustness. we focus on simplicity and durability. Easy-to-use and very low air-comsumption. Low maintenance cost and self-adjustable packing system.

Ideal for medium and high productions.

**GENERAL APPLICATIONS:** Clearcoats and waterborne paints, lacquers, enamels, fonds, light primers, antioxidants,...



## RAIDER 160

## RAIDER 300

MIX EQUIPMENT .....  
 AIRLESS EQUIPMENT .....

MIX VERSION



AIRLESS VERSION



MIX VERSION



AIRLESS VERSION



- Dimensions
- Pneumatic cylinder
- Stroke
- Max. air consumption (60 cycles/min.)
- Max. air inlet pressure
- Min. inlet hose diameter Ø
- Packing lubricant
- Max. product output pressure
- Free flow (60 cycles/min.)
- Flow per cycle
- Air inlet
- Product inlet
- Product outlet
- Weight
- Max. Tip
- Trolley and absorption VERSION
- Trolley and deposit VERSION
- Wall and absorption VERSION
- Wall and deposit VERSION
- Naked VERSION

330x310x664 mm.

Ø 70 mm.

65 mm.

200 L/min. (7 cfm)

6 bar (87 psi)

6 mm. - 1/4"

Oil Pack 30090098

96 bar (1,392 psi)

1.26 L/min.

21 c.c.

1/4"

Ø 12x21 mm.

1/4" GAS BSP

12.2 Kg.

0.013"

30951501

30951502

30951503

30951504

30951505

415x390x745 mm.

Ø 95 mm.

68 mm.

370 L/min. (13 cfm)

7 bar (102 psi)

6 mm. - 1/4"

Oil Pack 30090098

200 bar (2,900 psi)

1.8 L/min.

30 c.c.

1/4"

Ø 12x21 mm.

1/4" BSP

15.5 Kg.

0.013"

30951602

30951603

30951604

30951605

--



# MACK 150

MIX VERSION

AIRLESS VERSION

# MACK 320

MIX VERSION

AIRLESS VERSION

# MACK MACK 400 600

MIX VERSION

AIRLESS VERSION

480x470x875 mm.  
 Ø 80 mm.  
 60 mm.  
 245 L/min. (8.7 cfm)  
 7 bar (102 psi)  
 6 mm. - 1/4"  
 Oil Pack 30090098  
 91 bar (1.320 psi)  
 2.7 L/min.  
 45 c.c.  
 1/4"  
 Ø 12x21 mm.  
 1/4" GAS BSP  
 28 Kg.  
 0.018"  
 30931901  
 30931902  
 30931903  
 30931904  
 30931905

480x470x875 mm.  
 Ø 125 mm.  
 60 mm.  
 610 L/min. (21 cfm)  
 7 bar (102 psi)  
 6 mm. - 1/4"  
 Oil Pack 30090098  
 226 bar (3.278 psi)  
 2.7 L/min.  
 45 c.c.  
 1/4"  
 Ø 12x21 mm.  
 1/4" GAS BSP  
 30 Kg.  
 0.018"  
 30932003 / 001\*  
 30932004 / 002\*  
 30932006 / 005\*  
 30932009 / 007\*  
 --

545x546x1.007 mm.  
 Ø 125 mm.  
 60 mm.  
 1,500 L/min. (53 cfm)  
 6 bar (87 psi)  
 6 mm. - 1/4"  
 Oil Pack 30090098  
 240 bar 360 bar  
 5.2 L/min. 7.2 L/min.  
 45 c.c.  
 1/4"  
 Ø 12x21 mm.  
 1/4" GAS BSP  
 62 Kg. 63 Kg.  
 0.032" (0,018" for 2 guns)  
 30932201 30932101  
 --  
 --  
 --  
 --

\*Airless equipment codes

# PROFESSIONAL LINE HTV VERTICAL BELLOW

HTV 250 professional range has been designed and manufactured for professional use. The HTV 250 offers excellent performance both in terms of features and design.

Within the quality standards we focus on simplicity and durability.

The hydraulic components were redesigned for highest level of quality focused on technology and durability. The bellows system provides long-lasting durability with minimum maintenance even for highly demanding materials.

**GENERAL APPLICATIONS:** Clearcoats and waterborne paints, lacquers, enamels, fonds, light primers,...



# HTV 250



MIX EQUIPMENT .....  
AIRLESS EQUIPMENT .....

MIX VERSION



AIRLESS VERSION



- Dimensions
- Pneumatic cylinder
- Stroke
- Max. air consumption (60 cycles/min.)
- Max. air inlet pressure
- Min. inlet hose diameter Ø
- Packing lubricant
- Max. product output pressure
- Free flow (60 cycles/min.)
- Flow per cycle
- Air inlet
- Product inlet
- Product outlet
- Weight
- Max. Tip
- Trolley and absorption VERSION
- Trolley and deposit VERSION
- Wall and absorption VERSION
- Wall and deposit VERSION
- Naked VERSION

465x460x875 mm.
Ø 125 mm.
44 mm.
448 L/min. (16 cfm)
7 bar (102 psi)
6 mm. - 1/4"
Oil Pack 30090098
175 bar (2,538 psi)
2.8 L/min.
48 c.c.
1/4"
Ø 12x21 mm.
1/4" BSP
30 Kg.
0.018"
30931801
--
--
--
--

### NEW BELLOWS system

Completely eliminates packing gland leaks. **Multiplies X5** the life of your conventional equipment. It requires no lubrication in the shaft area.



# PROFESSIONAL LINE HT VERTICAL BELLOW

The mixed version HT range has been designed and manufactured focusing on the needs of medium factories.

Ideal for automatic installations.

Suitable for several manual spray guns.

Long life and low maintenance.

Bellows systems (without gaskets).

Continuous production.

**GENERAL APPLICATIONS:** Clearcoats, lacquers, enamels, fonds, primers, ultraviolets...



## HT



MIX EQUIPMENT

AIRLESS EQUIPMENT

### HT10

### HT15

### HT25

- Dimensions
- Pneumatic cylinder
- Stroke
- Max. air consumption (60 cycles/min.)
- Max. air inlet pressure
- Min. inlet hose diameter Ø
- Packing lubricant
- Max. product output pressure
- Free flow (60 cycles/min.)
- Flow per cycle
- Air inlet
- Product inlet
- Product outlet
- Weight
- Max. Tip
- Trolley and absorption VERSION
- Trolley and deposit VERSION
- Wall and absorption VERSION
- Wall and deposit VERSION
- Naked VERSION

	575x525x875 mm.		
	Ø 135 mm.	Ø 150 mm.	Ø 200 mm.
	=	44 mm.	=
	440 L/min.	545 L/min.	980 L/min.
	=	6 bar (87 psi)	=
	=	12 mm. - 1/2"	=
	=	Oil Pack 30090098	=
	60 bar	90 bar (870 psi)	150 bar
	=	9.75 L/min.	=
	=	110 c.c.	=
	=	1/2"	=
	=	Ø 25x37 mm.	=
	=	3/8" BSP	=
	41 Kg.	42 Kg.	48 Kg.
	0.018"	0.018"	0.018"
	30951901	30952001	30952301
	--	--	--
	30951902	30952002	30952302
	--	--	--
	--	--	--

## MIX & AIRLESS INDUSTRIAL SPRAYGUNS

A perfect fusion between speed and high transfer (above 80%) with quality finishes of XTREME aerographic systems.

Designed to last over time thanks to its robustness and quality of its components. To this we add its manageability, softness and reduced size making it ideal for difficult jobs and the smallest mixed gun in size of the market.

Ideal for waterborne products. Designed for UV and waterborne paints. Ideal for furniture sector, industry and industrial bodyshop.



Mini  
XTREME MIX

200  
bar

Code	Aircap	Air inlet	Product inlet
351 302 01	11/40	Quick connector 8 mm.	1/4"
351 302 02			Swivel coupling 1/4"
351 302 03		Coupling M16	1/4"
351 302 04			Swivel coupling 1/4"

Code	Aircap	Air inlet	Product inlet
351 302 05	13/40	Quick connector 8 mm.	1/4"
351 302 06			Swivel coupling 1/4"
351 302 07		Coupling M16	1/4"
351 302 08			Swivel coupling 1/4"



PSAM  
104

Code PSAM104  
301 701 03

High pressure spray gun recommended for pneumatic airless systems not exceeding a working pressure of 250 bar (PSAM 104) or 450 bar (PSAM 107).

It is recommended for all types of medium viscosity products.

Both seats and closures are manufactured in tungsten carbide.



PSAM  
107

Code PSAM107  
301 701 01



# MIX & AIRLESS ACCESSORIES AND COMPLEMENTS

## Mix equipment hoses



Code	Version
864 638 04	5m. Product hose 3/16" + Air hose M16 + cover
864 638 05	10m. Product hose 3/16" + Air hose M16 + cover

## Mix aircaps (TIPS)

Code	Version
814 605 18	09/25 Standard - Extra finish
814 605 19	09/40 Standard - Extra finish
814 605 29	11/40 Standard - Extra finish
814 605 31	11/65 Standard - Extra finish
814 605 40	13/40 Standard - Extra finish
814 605 42	13/65 Standard - Extra finish
814 605 43	13/80 Standard - Extra finish
814 605 49	15/25 Standard - Extra finish
814 605 50	15/40 Standard - Extra finish
814 605 51	15/50 Standard - Extra finish
814 605 52	15/65 Standard - Extra finish
814 605 53	15/80 Standard - Extra finish
814 605 75	18/40 Standard - Extra finish
814 605 77	18/65 Standard - Extra finish
814 605 90	21/40 Standard - Extra finish
814 605 93	21/80 Standard - Extra finish



### Finishes



### Fonds and primers



### High speed

## Swivel head



Code	Spray Guns
814 611 01	PSAM 107/104

## Spray gun filters

Code	Version
300 100 08	White Airless 10 Filters Kit
300 100 09	Yellow Airless 10 Filters Kit
300 100 10	Red Airless 10 Filters Kit
864 630 04	Filter Kit 100 sheets



## Extensions



Code	Version
300 103 02	300 mm. airless extension
300 103 03	500 mm. airless extension
300 103 04	1,000 mm. airless extension

## Packing oil OILPACK

Código	Name
300 900 98	Packing oil OILPACK



## Airless product hose



Code	Version
864 638 21	5m. Product hose 3/16" C/Therm.
864 638 26	5m. Product hose 1/4" C/Therm.
864 638 27	10m. Product hose 1/4" C/Therm.
864 638 28	15m. Product hose 1/4" C/Therm.

## Airless swivel caps

Code	Version
814 611 05	09/20 De giro Sd V
814 611 06	09/40 De giro Sd V
814 611 08	11/20 De giro Sd V
814 611 09	11/40 De giro Sd V
814 611 11	13/20 De giro Sd V
814 611 12	13/40 De giro Sd V
814 611 15	15/20 De giro Sd V
814 611 16	15/40 De giro Sd V
814 611 20	16/40 De giro Sd V
814 611 24	17/40 De giro Sd V
814 611 25	17/60 De giro Sd V
814 611 28	18/40 De giro Sd V
814 611 29	18/60 De giro Sd V
814 611 33	19/40 De giro Sd V
814 611 38	21/40 De giro Sd V
814 611 43	23/40 De giro Sd V
814 611 48	25/40 De giro Sd V
814 611 49	25/60 De giro Sd V
814 611 64	31/60 De giro Sd V



### Finishes



### Fonds and primers

### High viscosity

### Thick coats

## Angular head



Code	Spray Guns
309 903 71	PSAM 107/104

## Absorption filters

Code	Version
564 180 55	100-Mesh circular filter
836 600 47	Special absorption filter for narrow pass



## Anti-recoil pump filters

Code	Version
836 600 29	DM/400 100-Mesh filter
836 600 30	DM/400 60-Mesh filter
836 600 09	Mix/Airless 100-Mesh filter
836 600 10	Mix/Airless 60-Mesh filter



## Cleaning

Código	Name
300 102 07	Cleanliness needles (12 pcs.)



## LOW PRESSURE PROFESSIONAL LINE

The low pressure DM 1/300 and 1/400 has been designed and manufactured focusing on the needs of several trades: from small metal, plastic and wood-working factories to the highest level industrial bodyshops.

Easy-to-use and low air-comsumption combined with the highest performance.

Low maintenance cost.

Ideal for high tranfer HVLP & EPA spray guns.

**GENERAL APPLICATIONS:** Clearcoats, lacquers, dyes, enamels, fonds, primers, antioxidants, metallics,...



**DM**  
**1/300**

**DM**  
**1/400**

- Dimensions
- Max. air consumption (60 cycles/min.)
- Max. air inlet pressure
- Min. inlet hose diameter Ø
- Lubricant
- Max. product output pressure
- Free flow (60 cycles/min.)
- Air inlet
- Product inlet
- Product outlet
- Weight
- Trolley and absorption VERSION
- Trolley and deposit VERSION
- Trolley and absorption VERSION (w/o reg.)
- Trolley and deposit (without regulator)
- Wall and absorption VERSION
- Wall and deposit VERSION
- Wall and absorption (w/o reg.)
- Wall and deposit (w/o reg.)

650x600x950 mm.
300 L/min. (10 cfm)
7 bar (102 psi)
6 mm. - 1/4"
SAE 10
7 bar (102 psi)
27 L/min.
1/4" GAS
3/8" GAS
3/8" GAS
12 Kg.
30920501
30920503
30920502
30920504
30920505
30920507
30920506
30920508

650x600x950 mm.
580 L/min. (20 cfm)
7 bar (102 psi)
6 mm. - 1/4"
SAE 10
7 bar (102 psi)
40 L/min.
1/4" GAS
3/8" GAS
3/8" GAS
18 Kg.
30920401
30920402
--
--
30920406
30920407
--
--

# HIGH TRANSFER AEROGRAPHIC SPRAY GUNS UP TO 75%



**4100 XTREME**

High profitability.  
Time and tiredness saving.  
Mist reduction.  
Solution for new generation paints, high solids, waterborne varnish and enamels.

Code	Version	Application
101 521 09	1.00 [XT01 B]	Top quality finishes, metals.
101 521 10	1.20 [XT01 B]	Finishes, high speed. Primers.
101 521 11	1.40 [XT01 B]	Primers, basecoats
101 521 07	1.00 [XT03]	High quality finishes. Basecoats, dyes
101 521 08	1.20 [XT03]	General finishes. Primers
101 521 12	1.20 [3030]	Minimum mist. Industrial finishes
101 521 13	1.40 [3030]	Minimum mist. Primers, basecoats
101 521 04	1.00 [777]	Maximum speed
101 521 05	1.20 [777]	Finishes, high gloss
101 521 01	1.00 [765]	Primers, basecoats
101 521 02	1.20 [765]	Glues, adhesives
101 521 03	1.40 [765]	Primers, basecoats
101 521 06	1.80 [20A]	Glues, adhesives



**Mini XTREME**

High quality finishes.  
Manufactured in forged aluminium.  
Perfect ergonomics.  
Light, solid and manufactured for reliability.

Code	Version	Application
101 119 07	0.80 [miniVIT]	Dyes and metals
101 119 08	1.00 [miniVIT]	Highest quality finishes. Maximum speed
101 119 09	1.20 [miniVIT]	Primers, basecoats and fillers
101 119 04	0.80 [miniEPA]	Feathering, dyes, basecoats
101 119 05	1.00 [miniEPA]	Highest quality finishes
101 119 06	1.20 [miniEPA]	Very high speed finishes
101 119 01	0.80 [miniHVLV]	Especially for dyes
101 119 02	1.00 [miniHVLV]	Finishes, low mist
101 119 03	1.20 [miniHVLV]	Finishes, primers



**3300 GTO**

Suitable for many application needs. Versatile.  
Light and sturdy.  
High performance.  
Large fan size.

Code	Version	Application
101 522 01	0.80 [HVLV]	Finishes, Dyes
101 522 02	1.00 [HVLV]	General finishes
101 522 03	1.20 [HVLV]	Primers, basecoats
101 522 04	1.00 [EPA]	Top quality finishes
101 522 05	1.20 [EPA]	General finishes
101 522 06	1.40 [EPA]	Primers

## Low pressure equipment Hoses

Anti-static air hose. Lights. 8x15 mm  
Product hose with 3/8" adapter



Code	Version
564 140 39	5 m. Air hose 8x15 mm. + product hose 6x8 mm. + cover.
564 140 44	7.5 m. Air hose 8x15 mm. + product hose 6x8 mm. + cover.
564 140 40	10 m. Air hose 8x15 mm. + product hose 6x8 mm. + cover.
564 140 41	15 m. Air hose 8x15 mm. + product hose 6x8 mm. + cover.
564 140 42	20 m. Air hose 8x15 mm. + product hose 6x8 mm. + cover.



SAGOLA S.A. will refuse any responsibility for the damage of defects caused by sprayguns or products with a similar appearance to the originals. These guns or products are imitations that **HAVE NOT BEEN MANUFACTURED BY SAGOLA, S.A.**

The SAGOLA S.A. products are exclusively sold through our distributors, with spare parts and a 3-year worldwide guarantee against design and/or manufacturing defects.

#### ISO CERTIFICATES



SAGOLA S.A. has always displayed the quality of its products with pride, but lately, in view of its ever more demanding clients, it has obtained certifications that vouch for the guarantee of its know-how and its impeccable organisational quality.

#### SAGOLA, S.A.

Urartea, 6  
01010 Vitoria - Gasteiz  
(Álava) SPAIN  
Tel.: (+34) 945 214 150  
Fax: (+34) 945 214 147  
sagola@sagola.com  
www.sagola.com

#### SAGOLA MÉXICO

Calle 2. Nº 5C. Bodega 6  
Parque Ind. Benito Juárez  
76120 Santiago de Querétaro  
(QUERÉTARO) MÉXICO  
Tel.: (+52) 442 388 5099  
sagolamexico@sagolamexico.mx  
www.sagolamexico.mx

MADE IN  
SPAIN

